



QUINCE™ SINGLE CONTROL PULL-DOWN BAR FAUCET

4433.410
4433.410F15

Thank you for selecting American-Standard...
the benchmark of fine quality for over 140 years.

To ensure that your installation proceeds smoothly--
please read these instructions carefully before you begin.

Certified to comply with ANSI A112.18.1M
M965243 REV. 1.8 (4/19)

RECOMMENDED TOOLS



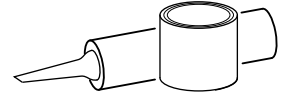
Regular Screwdriver



Phillips Screwdriver



Adjustable Wrench



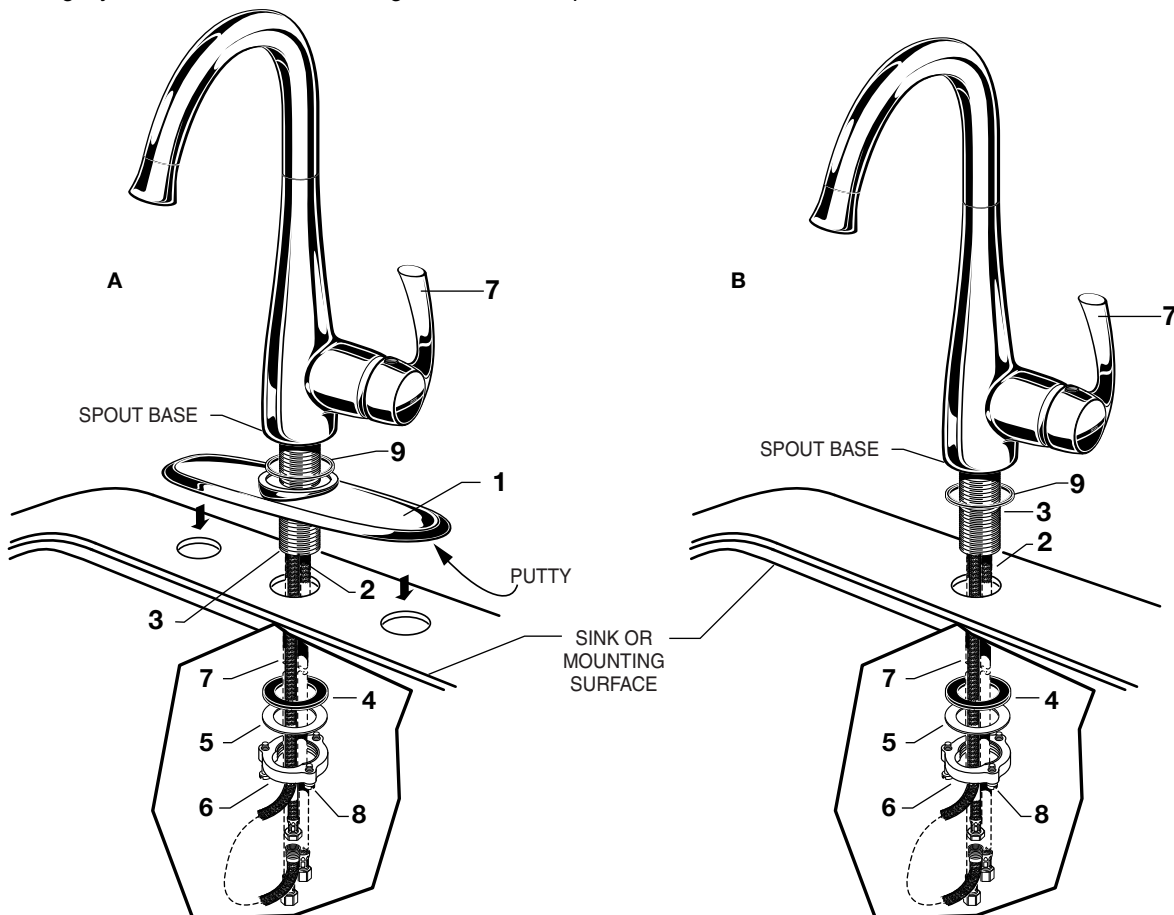
Plumbers' Putty or Caulking

1 INSTALL FAUCET WITH OR WITHOUT DECK ESCUTCHEON

CAUTION

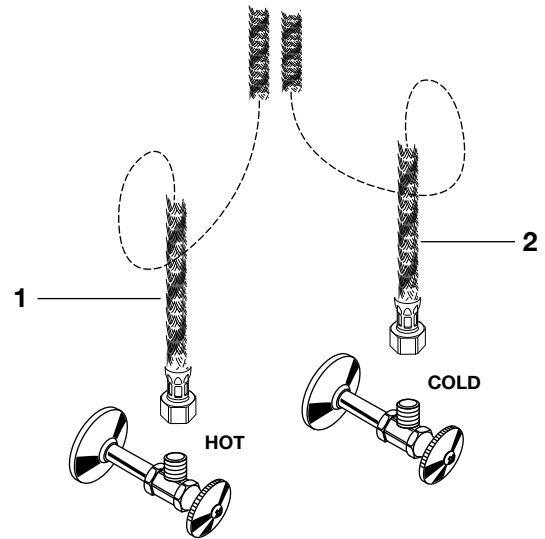
Turn off water at
main supply.

- **(A) Installation with ESCUTCHEON (1).** Apply a bead of putty to bottom edge of ESCUTCHEON with PUTTY PLATE (1). Make certain the SEAL (9) is properly seated in recess of faucet body. Insert SUPPLY HOSES (2), SPRAY HOSE (7) and SHANK (3) through hole of ESCUTCHEON with PUTTY PLATE (1) and mounting surface. Follow mounting instructions below to secure faucet to mounting surface.
- **(B) Installation less ESCUTCHEON (1).** Discard ESCUTCHEON with PUTTY PLATE (1). Make certain the SEAL (9) is properly seated in recess of faucet body. Insert supply HOSES (2), SPRAY HOSE (7) and SHANK (3) through mounting hole and seat SPOUT BASE onto sink or mounting surface. **Do not use putty.**
- Insert HOSES (2) through RUBBER WASHER (4), BRASS WASHER (5), and threaded LOCKNUT (6).
- Assemble RUBBER WASHER (4), BRASS WASHER (5), and threaded LOCKNUT (6) onto SHANK (3) from underside of sink or mounting surface. Hand tighten LOCKNUT (6).
- Use a screwdriver to tighten SCREWS (8) on LOCKNUT (6). Work your way around LOCKNUT (6), tightening the screws slightly each time until all are snug to ensure even pressure.



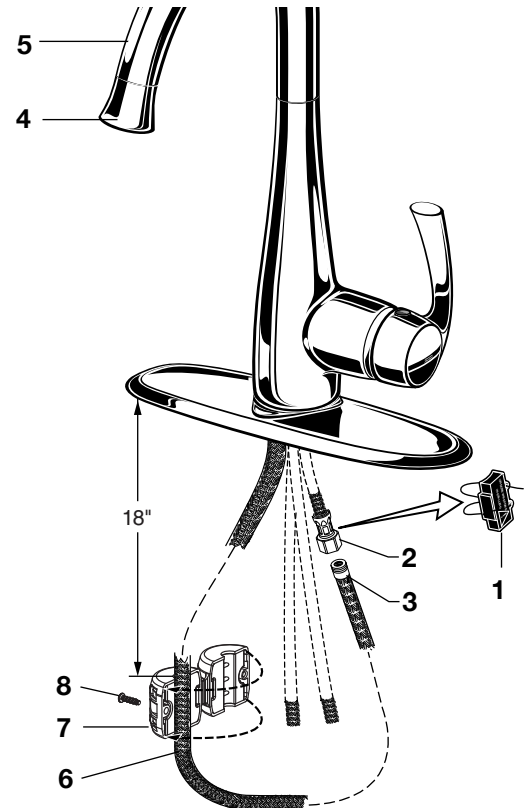
2 MAKE WATER SUPPLY CONNECTIONS

- Turn off hot and cold water supplies before beginning.
- Connect FLEXIBLE SUPPLIES (1, 2) directly to wall supplies. Connection on fitting supplies are 3/8" compression. Connect left supply (Marked with a Red Stripe) to Hot and right supply (Marked with Blue Stripe) to Cold wall supply. Use adjustable wrench to tighten connections. Do not over tighten.
- Faucet supplies are 21" long from faucet base.
- *Note: If additional supply length is required, installer must purchase additional parts separately.*
- *Important: If SUPPLY HOSES (1, 2) are too long, loop as illustrated to avoid kinking.*



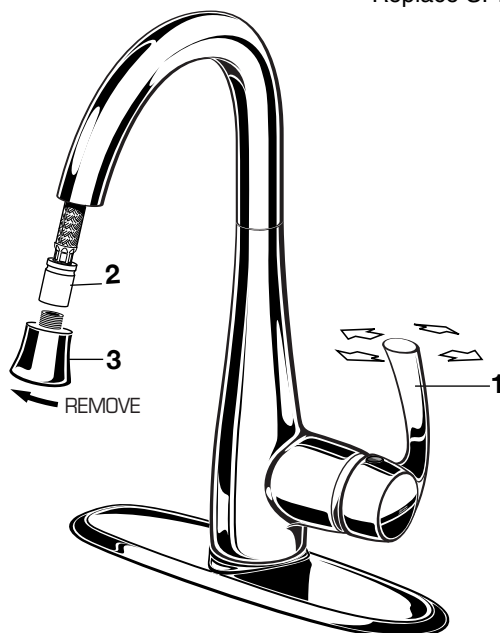
3 CONNECT SPRAY HOSE & INSTALL WEIGHTS

- Remove the FAUCET PROTECTION DEVICE (1) from the COUPLING NUT (2).
- Connect threaded end of HOSE (3) to SPRAY HOSE COUPLING NUT (2) from fitting. Use wrench to tighten.
- With HAND SPRAY (4) seated in SPOUT (5), install WEIGHT (7) onto HOSE (6) 18 inches from the underside of the sink deck and secure with SCREW (8).



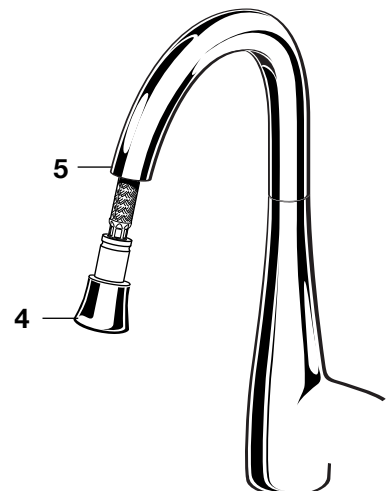
4 TEST INSTALLED FAUCET

- Move HANDLE (1) into "off" position.
- Turn on water supplies.
- Check connections for leaks. (See Section 5)
- With HANDLE (1) in "off" position, unthread SPRAY (3) from HOSE (2).
- Operate handle back to front, in COLD and HOT positions, to flush water lines thoroughly.
- Replace SPRAY (3) onto HOSE (2).



SPRAY OPERATION

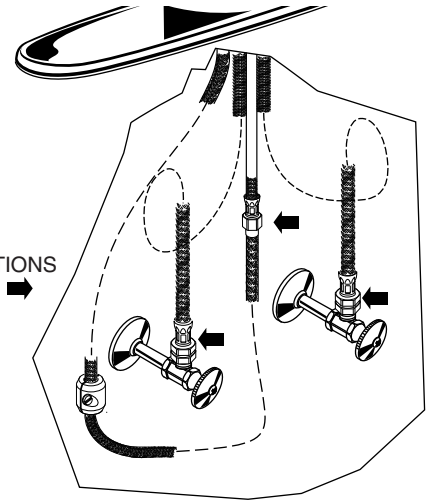
- With FAUCET on pull down SPRAY (4). Check for leaks. Make sure SPRAY (4) fully retracts and is seated in the SPOUT HOLDER (5).



5 CHECK CONNECTIONS FOR LEAKS.

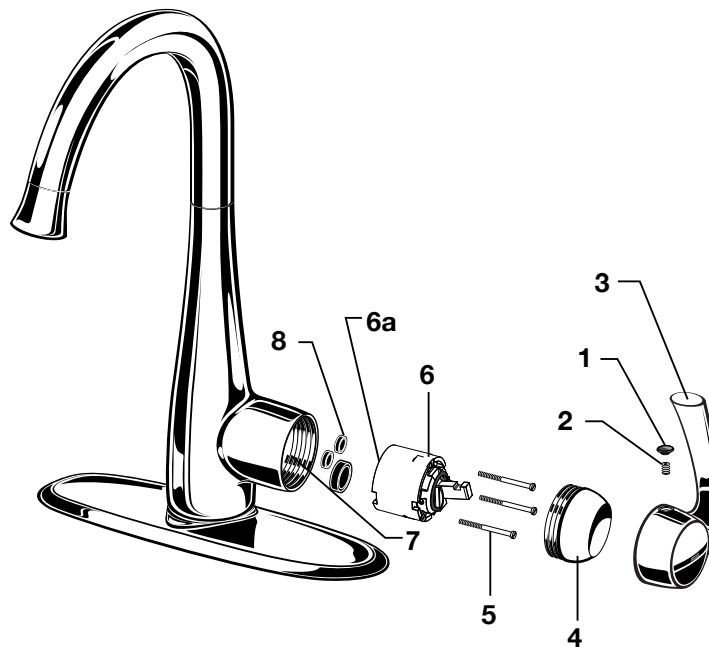
- Move HANDLE into "off" position.
- Turn on water supplies and check connections for leaks. ➡
- Operate HANDLE up and down, left and right to flush water lines thoroughly.
- Operate HAND SPRAY and check connections for leaks ➡

CHECK CONNECTIONS FOR LEAKS ➡



6 SERVICE

- If faucet drips, operate HANDLE several times from "off" to "on." Do not apply excessive force.
- **Clogged CARTRIDGE outlets or inlets may cause reduced flow.**
To clean, first turn off water supply then:
 - Remove INDEX BUTTON (1), loosen HANDLE SCREW (2) and remove HANDLE (3).
 - Unthread the ESCUTCHEON CAP (4). Unthread three MOUNTING SCREWS (5).
 - Lift CARTRIDGE (6) off MANIFOLD (7) and remove CARTRIDGE SEALS (8).
 - Clean MANIFOLD (7), CARTRIDGE (6) ports and SEALS (8).
 - Place SEALS (8) into CARTRIDGE PORTS (6a).
 - Place CARTRIDGE (6) onto MANIFOLD (7) and tighten MOUNTING SCREWS (5) alternately.
 - Replace ESCUTCHEON CAP (4), HANDLE (3), tighten HANDLE SCREW (2) and install INDEX BUTTON (1).



7 CARE:

DO: SIMPLY RINSE THE PRODUCT CLEAN WITH CLEAR WATER. DRY WITH A SOFT COTTON FLANNEL CLOTH.

DO NOT: DO NOT CLEAN THE PRODUCT WITH SOAPS, ACID, POLISH, ABRASIVES, HARSH CLEANERS, OR A CLOTH WITH A COARSE SURFACE.

American Standard

QUINCE™
SINGLE CONTROL
PULL-DOWN BAR FAUCET

MODEL NUMBER

4433.410
4433.410F15

M922367-007220A
 SPRAY HOSE
 2.2gpm/8.3L/min.

M922367-007150A
 SPRAY HOSE
 1.5gpm/5.7L/min.

M964178-YYY220A
 (2.2 GPM)
 SPRAY ASSEMBLY

M964178-YYY150A
 (1.5 GPM)
 SPRAY ASSEMBLY

M964175-0070A
 SPOUT BUSHING & O-RING KIT

M917147-0070A
 SPOUT SET SCREW

A951470-0070A
 CARTRIDGE

M907306-YYY0A
 ESCUTCHEON CAP

M964176-YYY0A
 HANDLE KIT

M918506-0070A
 CARTRIDGE SCREWS

M962294-0070A
 BUTTON AND
 SCREW KIT

A911836-0070A
 SEAL

M962806-YYY0A
 ESCUTCHEON AND
 PUTTY PLATE

M962146-0070A
 MOUNTING KIT

M964395-0070A
 WEIGHT

Replace the YYY with
 Appropriate finish code

CHROME	002
STAINLESS STEEL	075
OIL RUBBED BRONZE	224

HOT LINE FOR HELP

For toll-free information and answers to your questions, call:
 1 (800) 442-1902

Mon. - Fri. 8:00 a.m. to 8:00 p.m. EST

Saturday 10:00 a.m. to 4:00 p.m. EST

IN CANADA 1-800-387-0369

(TORONTO 1-905-306-1093)

Weekdays 8:00 a.m. to 7:00 p.m. EST

IN MEXICO 01-800-839-1200



PART OF LIXIL

M965243 REV. 1.8 (4/19)

Product names listed herein are
 trademarks of AS America, Inc.
 © AS America, Inc. 2019